

ELECTRONIC VALVE SPECIFICATION
SPECIFICATION MOS/CV2436-43 ISSUE 2 DATED AUGUST, 1958

AMENDMENT No.1

Page 3

Note Y

Under "Dimension of Pattern", line 3:-

<u>Amend</u>	CV 2438	65mm x 73mm
<u>to read</u>	CV 2438	65mm x 63mm

R.R.E.

July, 1959
N.70910

ELECTRONIC VALVE SPECIFICATIONS

SPECIFICATION MOS/CV2436-43

ISSUE 2 DATED AUGUST 1958

AMENDMENT No.2

Page 5. Amend:- Distance between the end terminal and 36.1 ring gauge plane to read 147 ± 5 instead of 155 ± 3 .

February, 1960
N.16340

R.R.E.

MINISTRY OF SUPPLY/R.R.E.

VALVE ELECTRONIC

CV2436-43

Specification MOS/CV2436-CV2443 Issue 2, dated:- August, 1958. To be read in conjunction with K1001 and BS448		Security Specification Unclassified		Valve Unclassified																																		
← Indicates a change																																						
TYPE OF VALVE:- Monoscope TYPE OF DEFLECTION:- Magnetic TYPE OF FOCUS Electrostatic BULB:- Glass, internally and externally coated with a conductive coating. PROTOTYPE:- VCRX389 PATTERNS:- See note A			MARKING See K1001/4																																			
			BASE B8-0 See BS 448																																			
			CONNECTIONS																																			
			<table border="1"> <thead> <tr> <th>PIN</th> <th></th> <th></th> </tr> </thead> <tbody> <tr> <td>1</td> <td></td> <td>Int. Connection</td> </tr> <tr> <td>2</td> <td>a₁</td> <td></td> </tr> <tr> <td>3</td> <td>a₂</td> <td>Int. Connection</td> </tr> <tr> <td>4</td> <td></td> <td></td> </tr> <tr> <td>5</td> <td>g.</td> <td></td> </tr> <tr> <td>6</td> <td>k.</td> <td></td> </tr> <tr> <td>7</td> <td>h.</td> <td></td> </tr> <tr> <td>8</td> <td>h.</td> <td></td> </tr> <tr> <td>Side contact</td> <td>a₃</td> <td></td> </tr> <tr> <td>End terminal</td> <td></td> <td>sig. plate</td> </tr> </tbody> </table>			PIN			1		Int. Connection	2	a ₁		3	a ₂	Int. Connection	4			5	g.		6	k.		7	h.		8	h.		Side contact	a ₃		End terminal		sig. plate
PIN																																						
1		Int. Connection																																				
2	a ₁																																					
3	a ₂	Int. Connection																																				
4																																						
5	g.																																					
6	k.																																					
7	h.																																					
8	h.																																					
Side contact	a ₃																																					
End terminal		sig. plate																																				
RATING																																						
Heater Voltage	(V)	4.0																																				
Heater Current	(A)	1.0																																				
Max. Va3	(KV)	7																																				
Max. Va1	(KV)	1.4																																				
Max. Va3 - sig. plate	(V)	200																																				
Min. Va3 - sig. plate	(V)	50																																				
Max. Beam current.	(uA)	250																																				
TYPICAL OPERATING CONDITIONS																																						
Va3	(KV)	5																																				
Va2	(V)	830																																				
Va1	(V)	1250																																				
Sig. plate to a3	(V)	-100																																				
Vg for cut off	(V)	-70																																				
R _L	(kohms)	1 to 5																																				
I _b	(uA)	5																																				
Peak to Peak I sig.	(uA)	I _b to I _b 4 2																																				
			SIDE CONTACT CT7. See BS 448 or adapted to CT7 from CT8, using adaptor on Page 6																																			
			END TERMINAL OBA Stud																																			
CAPACITANCES			DIMENSIONS See drawing Page 5																																			
Max C _g - all	(pf)	20																																				
Max C _k - all	(pf)	15																																				
Max C sig. p. - all	(pf)	10																																				
Notes A. CV2436 to CV2443 identical monoscopes except for the patterns illustrated on Page 4.																																						

CV2436-CV2443/2/1

Z.18937.

MINISTRY OF SUPPLY/R.R.E.

VALVE ELECTRONIC

CV2436-43

Specification MOS/CV2436-CV2443 Issue 2, dated:- August, 1958. To be read in conjunction with K1001 and BS448		Security Specification Unclassified		Valve Unclassified																																		
← Indicates a change																																						
<u>TYPE OF VALVE:-</u> Monoscope <u>TYPE OF DEFLECTION:-</u> Magnetic <u>TYPE OF FOCUS</u> Electrostatic <u>BULB:-</u> Glass, internally and externally coated with a conductive coating. <u>PROTOTYPE:-</u> VCRX389 <u>PATTERNS:-</u> See note A		<u>MARKING</u> See K1001/4																																				
		<u>BASE</u> B8-0 See BS 448																																				
		<u>CONNECTIONS</u>																																				
		<table border="1"> <thead> <tr> <th>PIN</th> <th></th> <th></th> </tr> </thead> <tbody> <tr> <td>1</td> <td></td> <td>Int. Connection</td> </tr> <tr> <td>2</td> <td>a₁</td> <td></td> </tr> <tr> <td>3</td> <td>a₂</td> <td>Int. Connection</td> </tr> <tr> <td>4</td> <td></td> <td></td> </tr> <tr> <td>5</td> <td>g.</td> <td></td> </tr> <tr> <td>6</td> <td>k.</td> <td></td> </tr> <tr> <td>7</td> <td>h.</td> <td></td> </tr> <tr> <td>8</td> <td>h.</td> <td></td> </tr> <tr> <td>Side contact</td> <td>a₃</td> <td></td> </tr> <tr> <td>End terminal</td> <td></td> <td>sig. plate</td> </tr> </tbody> </table>				PIN			1		Int. Connection	2	a ₁		3	a ₂	Int. Connection	4			5	g.		6	k.		7	h.		8	h.		Side contact	a ₃		End terminal		sig. plate
PIN																																						
1		Int. Connection																																				
2	a ₁																																					
3	a ₂	Int. Connection																																				
4																																						
5	g.																																					
6	k.																																					
7	h.																																					
8	h.																																					
Side contact	a ₃																																					
End terminal		sig. plate																																				
<u>RATING</u>																																						
Heater Voltage	(V)	4.0																																				
Heater Current	(A)	1.0																																				
Max. Va3	(kV)	7																																				
Max. Va1	(kV)	1.4																																				
Max. Va3 - sig. plate	(V)	200																																				
Min. Va3 - sig. plate	(V)	50																																				
Max. Beam current.	(uA)	250																																				
<u>TYPICAL OPERATING CONDITIONS</u>																																						
Va3	(kV)	5																																				
Va2	(V)	830																																				
Va1	(V)	1250																																				
Sig. plate to a3	(V)	-100																																				
Vg for cut off	(V)	-70																																				
R _L	(kohms)	1 to 5																																				
I _b	(uA)	5																																				
Peak to Peak I sig.	(uA)	I _b to I _b 4 2																																				
<u>CAPACITANCES</u>																																						
Max Cg - all	(pf)	20																																				
Max Ck - all	(pf)	15																																				
Max C sig. p. - all	(pf)	10																																				
		<u>SIDE CONTACT</u> CT7. See BS 448 or adapted to CT7 from CT8, using adaptor on Page 6																																				
		<u>END TERMINAL</u> OBA Stud																																				
		<u>DIMENSIONS</u> See drawing Page 5																																				
<u>Notes</u> A. CV2436 to CV2443 identical monoscopes except for the patterns illustrated on Page 4.																																						

CV2436-CV2443/2/1

Z.18937.

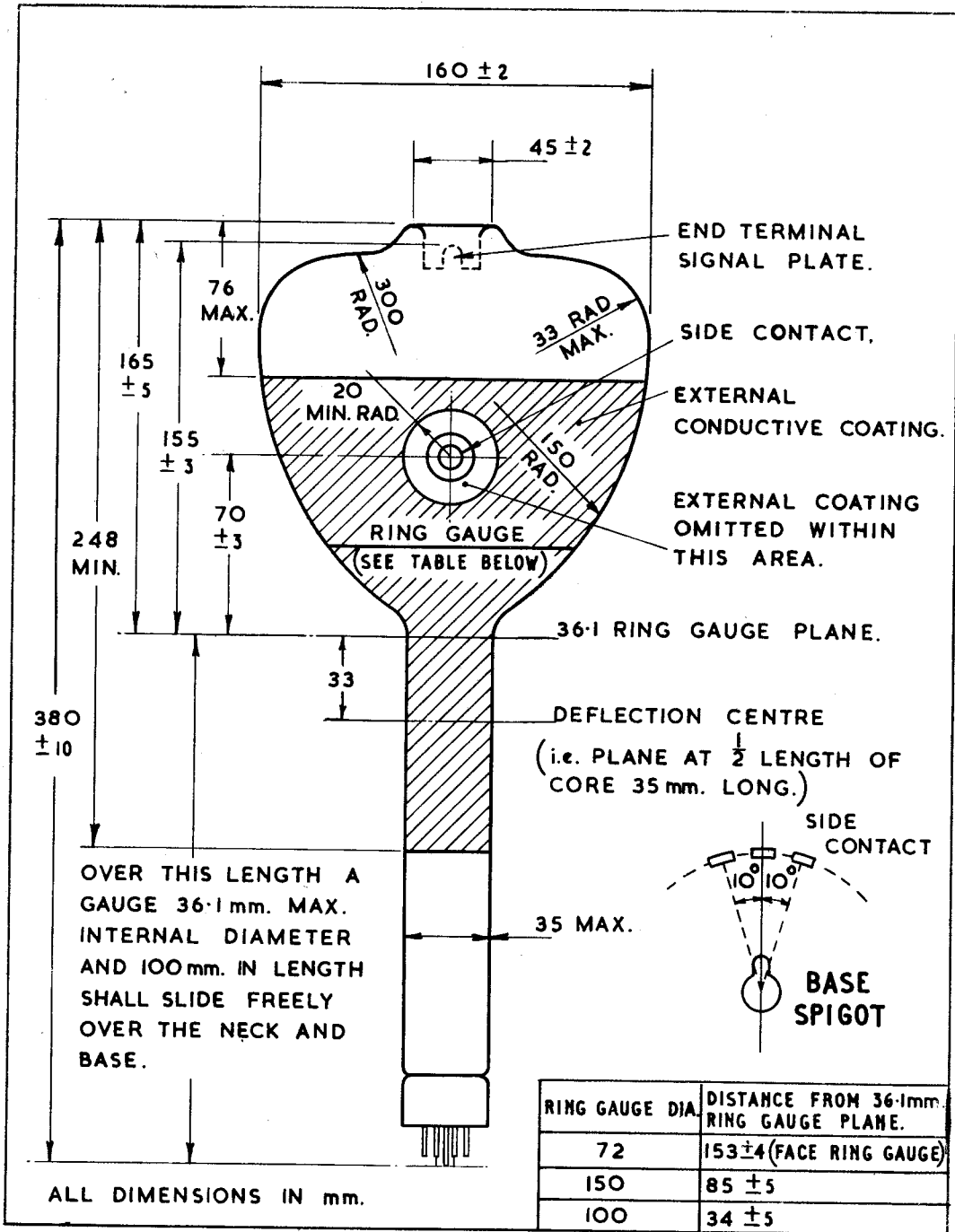
NOTESY. Signal plate patterns

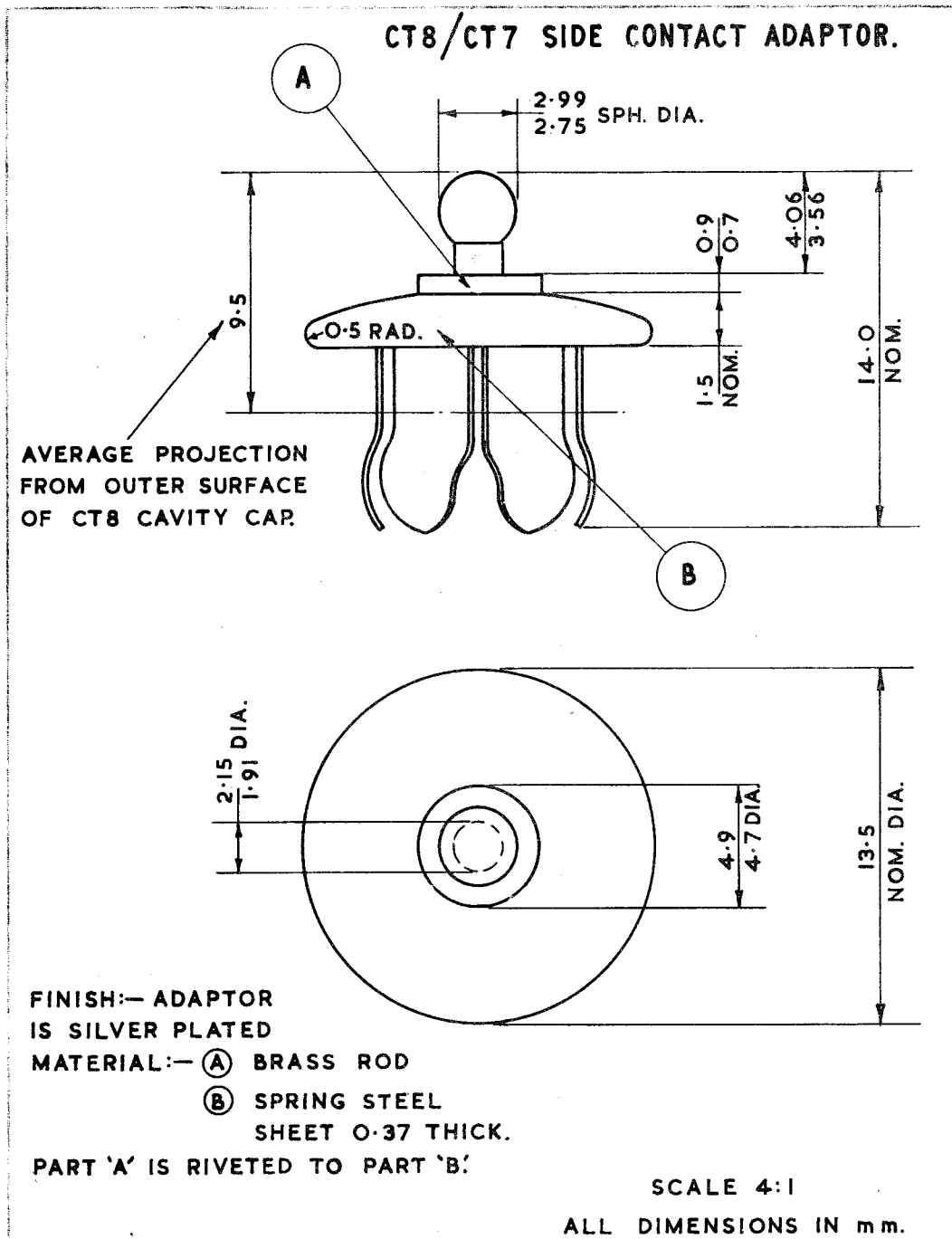
The pattern shall be centred on the signal plate.

<u>Dimension of pattern</u>			<u>R.R.E. Ref. No.</u>
CV2436	75	mm x 5.5 mm	R5595
CV2437	56.5	mm x 3.5 mm	R5596
CV2438	65	mm x 73 mm	R5597
CV2439	65.5	mm x 71.5 mm	R6128
CV2440	76.5	mm x 98.5 mm	R5600
CV2441	67.25	mm x 86.5 mm	R5711
CV2442	65	mm x 87 mm	R6059
CV2443	46	mm x 3.5 mm	R6060

In the manufacture of these signal plates, a "Contact Print" from a master negative issued by R.R.E. must be used and not scaled reproduction from the illustrations on page 4, because of possible size distortion.

- Z. The vertical axis of the signal plate shall be within $\pm 10^\circ$ of the axis through the side contact and the axis of the tube. The top of the signal plate shall be on the same side of the tube as the side contact.





CV 2436--CV 2443/2/6